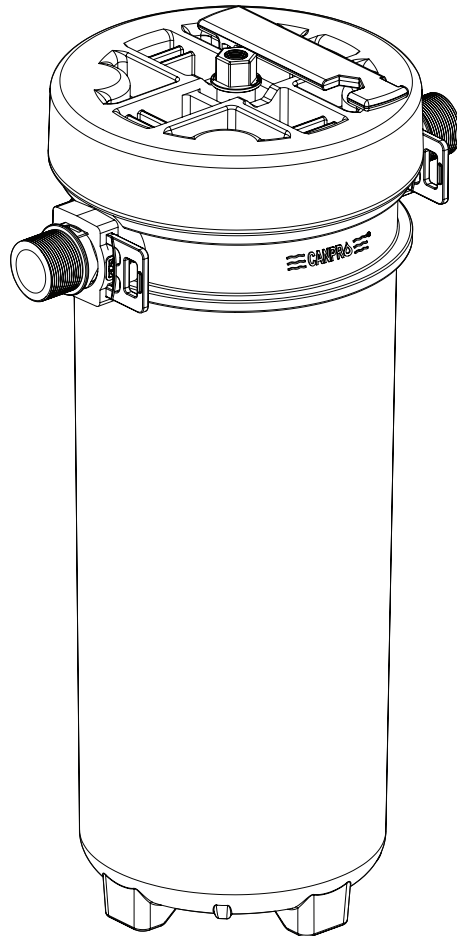


HydroTAC

WATER FILTER & CONDITIONER

OWNER'S MANUAL USE & CARE GUIDE



UTT **UNTAPPED**
TECHNOLOGIES

HydroTAC SYSTEM INTRODUCTION

HydroTAC provides an eco-friendly water conditioner and filter that protects your water pipes and equipment against scale. Through Template Assisted Crystallization (TAC) treatment, water is treated without applying any chemicals or salt. HydroTAC is not only compact in size, but it can also reduce chlorine and toxic chemicals with its revolutionary high flow dual stage carbon block filtration process.

HydroTAC is a patented device which uses the innovative TAC technology to extend the life of your water heating devices. It utilizes polymeric beads to convert dissolved hardness into microscopic crystals, causing the particles to lose the ability to stick to surfaces. It is not only capable of removing existing scale inside pipes and equipment, but it also has exceptional chlorine, taste, and odor reduction power without compromising high flow capacity. HydroTAC is virtually maintenance free, reducing time and effort spent on repairs, maintenance, and cleaning. HydroTAC can improve the efficiency of equipment performance, which can reduce energy cost. This compact system can outperform any larger conventional systems.

HydroTAC uses a simple three step filtration process:

- 1st - High Capacity of Sediment (hold dirt capacity up to 1 kg), 20 Micron Prefilter
- 2nd - Chlorine Reduction, Toxic Chemicals Reduction, Odor & Taste Improvement
- 3rd - Patented TAC High Flow Scale Prevention

WARRANTY

The manufacturer warrants HydroTAC to be free from material defects and workmanship under the condition that the HydroTAC was installed, operated and maintained according to this Owner's Manual - Use and Care Guide.

The HydroTAC is warranted for one year from purchase date.

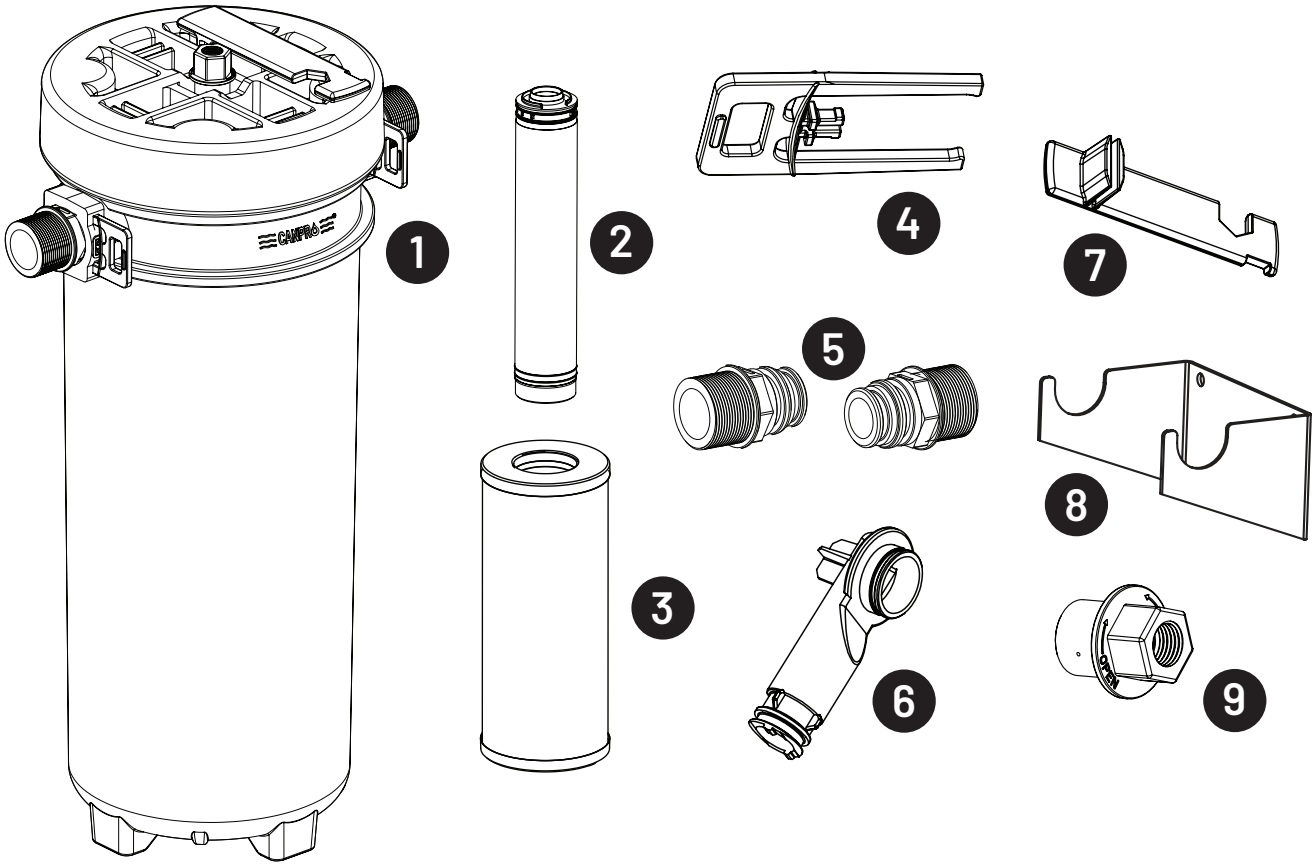
A receipt is required for the warranty. The manufacturer will replace or repair (at manufacturer's discretion) any HydroTAC that fails to perform due to material defects and workmanship.

There are no warranties under situations of product misuse, improper installation, improper maintenance and/or misapplication. This warranty does not assume, explicitly or implicitly, any responsibilities or consequential damages caused by product misuse, improper installation, improper maintenance, and misapplication of the product.

PRECAUTIONS

- Handle all components carefully.
- All o-rings need to be well lubricated and clean. These may need to be replaced every 5 years.
- For scale prevention to occur, do not install any filters after the system. However, water known to have heavy loads of dirt and debris may require pre-filtration prior to the system.
- Do not apply any other anti-scalants to the water supply.
- Do not use if the water supply that has unsafe microbiological activity or is of unknown quality.
- If making a soldered copper installation, do all sweat soldering before connecting pipes to the system. High heat will damage plastic parts. Use only lead-free solder and flux for sweat-solder connections, as required by state and federal codes.
- Do not install the system in direct sunlight. Do not install where system can freeze. This may result in damage to the system. A protected area is best for installation.
- A bypass valve should be considered to ease installation and services.
- Do not install the system horizontally or unevenly. It must be installed vertically, mounted on a wall or on a flat, clean surface. On that can withstand the weight of the fluidized system.
- When turning threaded pipe fittings onto plastic fittings make sure not to cross-thread.
- Use plumbing tape or similar tape on all external pipe threads. NEVER use pipe joint compound.
- Use support for the inlet and outlet plumbing in some way (e.g., pipe hangers) to keep the weight off the plumbing.
- Connect the system to the water supply before the water heater. Do not attempt to treat water over 100°F (38°C).
- Follow federal and state codes/ guidelines for installing water treatment systems.
- All water contaminants must meet the requirements of the USEPA Safe Drinking Water Act. This system does not reduce silica glassing, often confused with scaling.
- A pressure limiting valve must be installed where any influent water pressure exceeds 70 psi (500 kPa).

HydroTAC SYSTEM PARTS



DESCRIPTION	PART NUMBER
HydroTAC System	7100638
HydroTAC 20 Micron Radial Flow CB	7100639
HydroTAC Scale Prevention Filter	7100640
HydroTAC ComboPack	7100641
HydroTAC Mount Bracket	7300764
HydroTAC Housing & Head Assembly	7300759
HydroTAC In/Outlet Adapter	7300761
HydroTAC PR Valve	7300765
HydroTAC Multifunction Tool	7300763
HydroTAC Outlet Connector	7300762
HydroTAC In/Outlet Adaptor Pins	7300760

INCLUDES:

1. Housing and Head Assembly
2. HydroTAC Scale Prevention Filter Cartridge (Lifespan : 3 years or 250,000 gallons)
3. 20 Micron Radial Flow Carbon Cartridge (Up to Lifespan : 1 year or 50,000 gallons*)
*influent contaminants may reduce lifespan to 6 months.
4. Inlet / Outlet Red Adapter Locking Pins (x2)
5. 1" NPT Inlet / Outlet Adapters (x2)
6. Outlet Connector
7. Multifunction Tool
8. System Mounting Bracket
9. Pressure Relief Valve

HydroTAC INSTALLATION INSTRUCTIONS

1. Please confirm that all required items are included in the kit and remove them from carton.
2. Find a suitable location for the HydroTAC System. Make sure it is well protected. Do not block access to the water meter, heater, main shutoff, or other equipment that must be accessible. Make sure that the location is level and sturdy enough to support the weight of the wetted system.
3. Turn off the main water supply and open an inside faucet to relieve any pressure within the plumbing system.
4. The system can stand upright in the desired location without the need to affix to a wall with the mounting bracket (Item 8).
5. Install a supply valve (user supplied) in the supply line and close it.
6. Take the 20 Micron Radial Flow Carbon Cartridge (Item 3) and place it within the HydroTAC Housing (Item 1) as shown in Diagram B.
7. Take the TAC Scale Prevention Cartridge (Item 2) and secure it within the center of the 20 Micron Radial Flow Carbon Cartridge (Item 3) as shown in Diagram C.
8. Take the Outlet Connector (Item 6) and install it as shown in Diagram D. Be sure to remove the spacer.
9. Take the HydroTAC Head Assembly (Item 1) and screw this onto the HydroTAC Housing (Item 1) as shown in Diagram E.
10. To tighten take the Multifunction Tool (Item 7) and tighten the Head Assembly as shown in Diagram E by tightening in a clockwise direction until it stops turning. **DO NOT OVERTIGHTEN!**
11. Using plumbing tape, take the two 1" Threaded Adapters (Item 5), put 3 or 4 wraps around the threads of each, and insert them into the inlet and outlet ports of the HydroTAC Housing (Item 1) as shown in Diagram A.
12. Secure these adapters with the two red adapter Locking Pins (Item 4) as shown in Diagram A.
13. Connect the cold water supply to the inlet of the HydroTAC system.
14. Place a bucket under the outlet port or run a line from the outlet port to a drain.
15. Turn the water back on to the house. Slowly open the supply valve to the HydroTAC system. Allow the housing to fill with water. Close the supply valve when a steady stream of water comes out of the outlet port. If the outlet is flowing into a bucket, water could splash on nearby objects. If this threatens the safety, value, structure, or appearance of these objects, protect/remove them or use the outlet hose to drain option.
16. Connect the cold water supply to the outlet of the HydroTAC System as required. For best results, let system sit filled for 1-2 hours prior to use.
17. Open faucets downstream of the system to flush the system for 5 minutes to purge any trapped air.
18. Check for leaks.
19. Write down date of installation to assist with cartridge replacement timing.

Diagram A

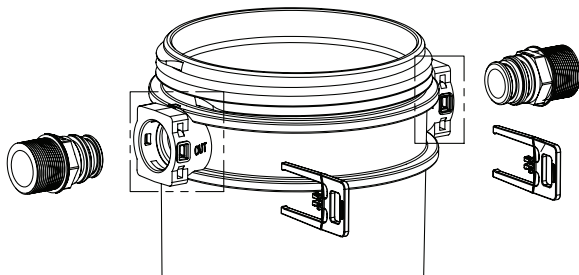


Diagram B

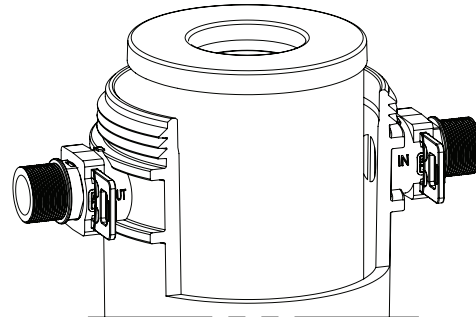


Diagram C

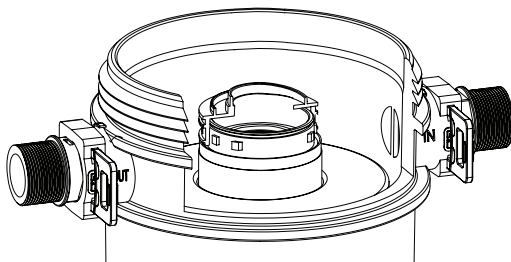
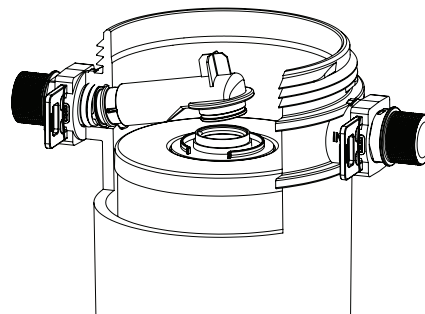


Diagram D



CARTRIDGE REPLACEMENT INSTRUCTIONS

1. Turn off water supply at either the isolation tap or mains tap.
2. Use the Multifunction Tool (Item 7) to release air from the system. This is done by taking the tool and unscrewing the Pressure Relief Valve (Item 9) in clockwise direction as shown in Diagram F.
3. Use the Multifunction Tool (Item 7) to unscrew HydroTAC Head Assembly (Item 1) counterclockwise and remove from the HydroTAC Housing as shown in Diagram G.
4. Remove the Outlet Connector (Item 6) from the top of TAC Scale Prevention Cartridge (Item 2) and remove from outlet port – refer to Diagram D.
5. Use the Multifunction Tool (Item 7) to remove TAC Scale Prevention Cartridge (Item 2) from the 20 Micron Radial Flow Carbon Cartridge (Item 3) as shown in Diagram H.
6. Remove the 20 Micron Radial Flow Carbon Cartridge (Item 3) from the HydroTAC Housing.
7. Remove new 20 Micron Radial Flow Carbon Cartridge from packaging and place carefully inside the HydroTAC Housing as shown in Diagram B.
8. Insert the TAC Scale Prevention Cartridge (Item 2) back into the center of the 20 Micron Radial Flow Carbon Cartridge making sure that it is sealed correctly as shown in Diagram C.
9. Insert the Outlet Connector (Item 6) into outlet port and secure back on top of the TAC Scale Prevention Cartridge as shown in Diagram D.
10. Screw the Head Assembly back onto the HydroTAC Housing in a clockwise rotation using the Multifunction Tool as shown in Diagram E until it stops turning. **DO NOT OVERTIGHTEN!**
11. Close the Pressure Relief Valve by tightening in a counterclockwise rotation as shown in Diagram F.
12. Turn water supply on and check for leaks. For best results, let system sit filled for 1-2 hours prior to use. Purge air as written in installation instructions above.
13. Write down date of replacement to assist with the next cartridge replacement timing.

Diagram E

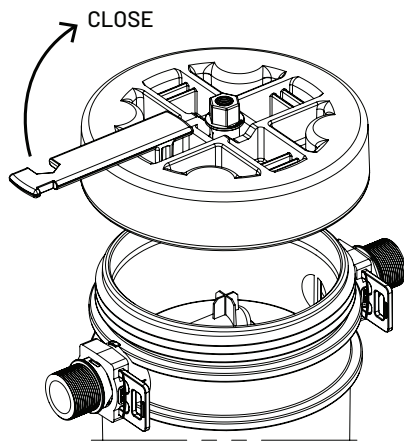


Diagram F

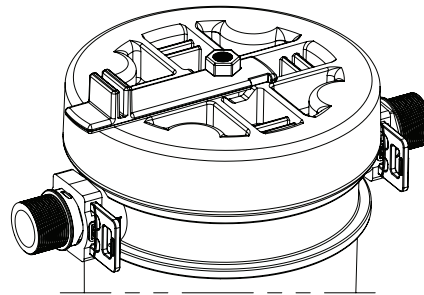


Diagram G

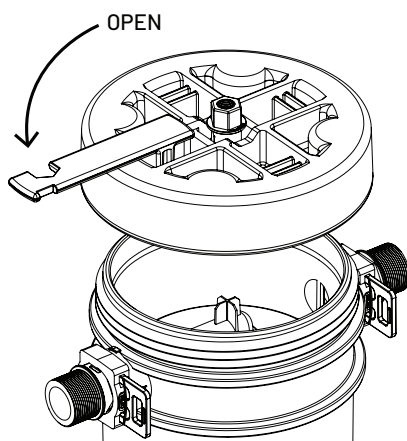
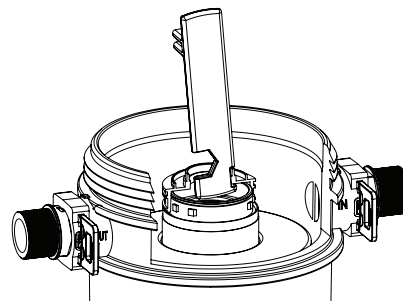


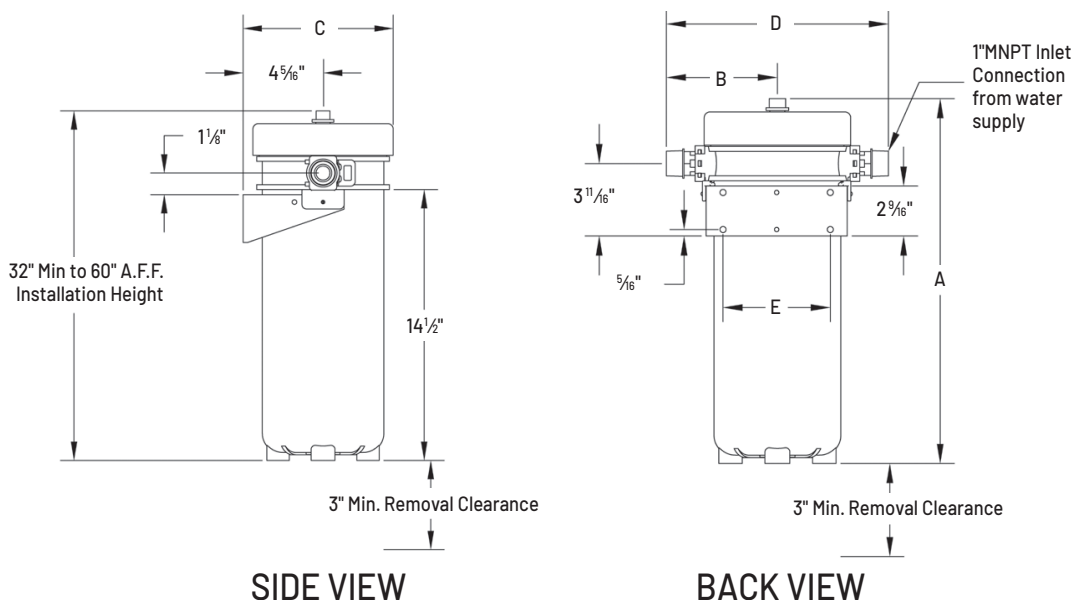
Diagram H



DIMENSIONS & WEIGHTS

MODEL	DIMENSIONS										WEIGHT	
	A		B		C		D		E		lbs.	kgs
	in.	mm	in.	mm	in.	mm	in.	mm	in.	mm		
HydroTAC	18 ³ / ₄	476	5 ¹ / ₁₆	144	8 ¹ / ₁₆	205	11 ³ / ₈	289	5 ¹ / ₂	140	16.6	7.5

The overall height and the height of the inlet fitting varies due to material variations and assembly tolerances. Please allow additional clearance above the filter for making connections.



USING HydroTAC SYSTEMS WITH OTHER WATER TREATMENT EQUIPMENT

There are some unique requirements for using HydroTAC systems in conjunction with other forms of water treatment.

1. HydroTAC system must be the last stage in the treatment chain. Do not install any filters after the HydroTAC system or before any devices for which scale prevention is required.
2. Do not apply any other anti-scalants before or after HydroTAC.

NOTES TO THE INSTALLER

The HydroTAC system differs from a conventional softener or media filter in several key respects.

- The system is much smaller than a water softener system, this does not effect the quality of the system itself.
- Remember that the filters must be changed from unscrewing and removing them from the top of the system, please leave enough vertical room to do so. Please have a licensed plumber install the system for safety purposes.
- The system has no underbed so you can tip the system over without any fear of upsetting the media. This makes transportation and installation much easier than conventional systems. Must be installed in VERTICAL POSITION. UTT assumes no responsibility for installation. This system is designed for residential applications only.

NOTE TO HOME OWNERS

- Take a look at your water-using appliances and notice the reduction in spotting! You should also notice that soaps and shampoos lather and rinse more easily than untreated water!
- For the first 3 months there is a possibility that scale deposit may accumulate in drains and faucets as HydroTAC removes the current scale deposits from the plumbing. This may also appear as "milky" water, which is just concentrated calcium in the water; this will not continue indefinitely and once the scale deposits are clear from your system your water will return to normal.
- If your dishwasher is heavily coated with scale deposits, then initially using a dishwasher cleaning liquid to accelerate the cleaning will get your equipment working efficiently faster.
- Drain your water heater 1 to 2 months after installation of HydroTAC and again 1 year later. This recommendation can increase the life of your water heating appliances.

SPECS / ESPECIFICACIONES

Rated Flow Flujo Nominal	Maximum 10 gpm (37.8 lpm) 10 gpm como máx.
Working Temp Temperatura de Trabajo	40 - 104º F (5 - 40º C)
Working Pressure* Presión de Trabajo	10 - 90 psi - a pressure limiting valve must be installed when pressure exceeds 70 psi 10 - 90 psi; debe instalarse una válvula limitadora de presión cuando esta supere los 70 psi
Working Conditions Condiciones de Trabajo	For indoor use - protection required when installed outdoors Para uso en interiores; se requiere protección cuando se instala en espacios exteriores
Size Tamaño	10 in x 10 in x 18 in (254 mm x 254 mm x 457 mm) 10 pulg. x 10 pulg. x 18 pulg.
Min Net Weight Peso Neto Mínimo	15.5 lbs (7 kg) 15,5 lb
Contaminants Reduced† Contaminantes Reducidos	Scale, Sediment, Other Chemicals, Chlorine Taste and Odor Sarro, sedimentos, otros productos químicos, sabor y olor a cloro

CONDITIONS FOR USE

pH pH	6.5 to 8.5 6,5 a 8,5
Max Hardness* Dureza Máxima	75 grains per gallon 75 granos por galón
Chlorine** Cloro	< 3 ppm < 3 ppm
Iron, Ferrous*** Hierro, Ferroso	< 0.3 mg/L < 0,3 mg/l
Manganese*** Manganesio	< 0.05 mg/L < 0,05 mg/l
Copper† Cobre	< 1.3 mg/L < 1,3 mg/l
Oil & Phosphates Aceite & Fosfatos	Zero Ninguno
Hydrogen Sulfide Sulfuro de Hidrógeno	Zero Ninguno

* Materials (sumps & caps) Polypropylene, ABS (high quality & FDA grade), Materials (o-ring) EPDM (NSF 61 listed), Cycle tests (@125 psi) 150k cycles.

* Systems using HydroTAC technology are effective at controlling lime-scale formation inside the plumbing system at influent hardness levels up to 30 grains per gallon (513 ppm CaCO₃) of calcium carbonate. Due to variances in water chemistry, 30 grains per gallon is a recommended hardness maximum due to potential aesthetic issues related to soft scale residue formation outside of the plumbing system. Testing should be performed to determine proper application where hardness levels exceed 30 grains per gallon.

* HydroTAC media does not reduce silica scaling. While silica tends to have a less significant effect on scale formation than other minerals, it can act as a binder that makes water spots and scale residue outside the plumbing system difficult to remove. 20 ppm limitation is for aesthetic purposes.

* All other contaminants must meet the requirements of the USEPA Safe Drinking Water Act. Specific Mineral and Metal MCL's, identified in UnTapped Tech published Feed Water Chemistry Requirements, supersedes the USEPA SDWA. Water known to have heavy loads of dirt and debris may require pre-filtration prior to HydroTAC.

** According to the carbon block manufacturer's specification.

*** Just as with conventional water softening media, HydroTAC media needs to be protected from excess levels of certain metals that can easily coat the active surface, reducing its effectiveness over time. Public water supplies rarely, if ever, present a problem, but if the water supply is from a private well, confirm that the levels of iron (Fe) and manganese (Mn) are less than 0.3 mg/L and 0.05 mg/L, respectively.

† Depending on local water chemistry.

‡ Pursuant to the EPA drinking water standards, the copper concentration permitted is up to 1.3 ppm. Typically originating from new copper plumbing, high levels of copper can foul HydroTAC media. New Copper lines need to be passivated for a minimum of 4 weeks before placing unit into service. For applications with copper concentration greater than 1.3 ppm, please consult UnTapped Tech Water Quality Technical Service. To further minimize any problem with excess copper, avoid applying excessive flux on the inner surfaces of the pipe and use a low-corrosivity water soluble flux listed under the ASTM B813 standard.

Influent water must not surpass levels listed in the table above.



The carbon block is Tested and Certified by NSF International to NSF/ANSI Standard 42 for material requirements only.

WARNING!

Read this Manual BEFORE using this equipment. Failure to read and follow all safety and use information can result in death, serious personal injury, property damage, or damage to the equipment.

Keep this Manual for future reference.

If you are unsure about installing your UnTapped Tech HydroTAC System contact a UnTapped Tech representative or consult a professional plumber. You are required to thoroughly read all installation instructions and product safety information before beginning the installation of this product. FAILURE TO COMPLY WITH PROPER INSTALLATION AND MAINTENANCE INSTRUCTIONS COULD RESULT IN PRODUCT FAILURE WHICH CAN CAUSE PROPERTY DAMAGE, PERSONAL INJURY AND/OR DEATH. UnTapped Tech is not responsible for damages resulting from improper installation and/or maintenance. Local building or plumbing codes may require modifications to the information provided. You are required to consult the local building and plumbing codes prior to installation. If this information is not consistent with local building or plumbing codes, the local codes should be followed. Refer to the enclosed for operating parameters to ensure proper use with your water supply.

CONDITIONS & LIMITATIONS

- The HydroTAC cartridge system is warranted to be free of defects in materials and workmanship for 1 year from the date of original shipment.
- The TAC cartridge is warranted for performance for a period of 2 years from the date of the original installation when installed and operated in accordance with the instructions in the corresponding Installation and Operation Manual. UTT assumes no responsibility for improper installation.
- HydroTAC Systems are warranted for domestic use in residential single family dwelling applications excluding irrigation water treatment. The system is designed for residential applications only. The use of these systems in light commercial, commercial, or industrial applications will void their limited warranty.
- HydroTAC System may only be used with municipally supplied water that is following EPA guidelines and local plumbing codes.
- The system must be installed and maintained in accordance with the manufacturer's instructions including replacement of the filter cartridges.
- Component or equipment failure must not result from abuse, violence, environmental causes (fires, freeze/frost, etc.), or improper installation.
- Equipment is limited to use at water pressures and temperatures that do not exceed our published specifications. Water exceeding 3.0 PPM chlorine must be pretreated before entering the HydroTAC System.
- Information regarding the model number, serial number, date of installation must be provided for warranty claims.
- Defective parts are subjected to inspection by an authorized representative for verification and prior to any commitment of warranty adjustment.
- UnTapped Tech reserves the right to make changes or substitutions in parts or equipment with material of equal quality or value based on this UnTapped Tech's authorized representative.
- The UnTapped Tech's obligation under this warranty with respect to the tank or valve is limited to furnishing a replacement for, or at our option, repairing any part or parts to our satisfaction that prove defective within the warranty period stated above.
- Our obligation under this HydroTAC warranty is limited to providing a replacement for the TAC cartridge within two years from date of original installation. These replacement media or parts will be delivered to the owner F.O.B. nearest factory, at no cost, excluding freight and local labor charges, if any.
- Damage to the media due to chlorine, other oxidizers or fouling caused by local water conditions or any other operation outside of the limits outlined in the provided documentation, is not covered by this warranty.
- The warranty set forth herein is given expressly and is the only warranty given by UnTapped Tech for the product. UnTapped Tech makes no other warranties, express or implied. UnTapped Tech hereby specifically disclaims all other warranties, express or implied, including but not limited to the implied warranties of merchantability and fitness for a particular purpose.
- The remedy described under this warranty shall constitute the sole and exclusive remedy for breach of warranty, and UnTapped Tech shall not be responsible for any incidental, special or consequential damages, including without limitation, freight, handling, lost profits or the cost of repairing or replacing other property which is damaged if this product does not work properly, other costs resulting from labor charges, delays, vandalism, negligence, fouling caused by foreign material, damage from adverse water conditions, chemical, or any other circumstances over which UnTapped Tech has no control.
- This warranty shall be invalidated by any abuse, misuse, misapplication, or improper installation of the product.
- Customers may need to replace O-rings every 5 years.
- Some states do not allow limitations on how long an implied warranty lasts, and some states do not allow the exclusion or limitation of incidental or consequential damages. Therefore, the above limitations may not apply to you. This warranty gives you specific legal rights, and you may have other rights that vary from state to state. You should consult applicable state laws to determine your rights. So far as is consistent with applicable state law, any implied warranties that may not be disclaimed, including the implied warranties of merchantability and fitness for a particular purpose, are limited in duration to the applicable warranty periods above.



UnTapped Technologies, Inc.
1025 Gateway Blvd. Suite 303-249
Boynton Beach, FL 33426
UnTappedTech.com
©2022 UnTappedTech
1(800)801-4072